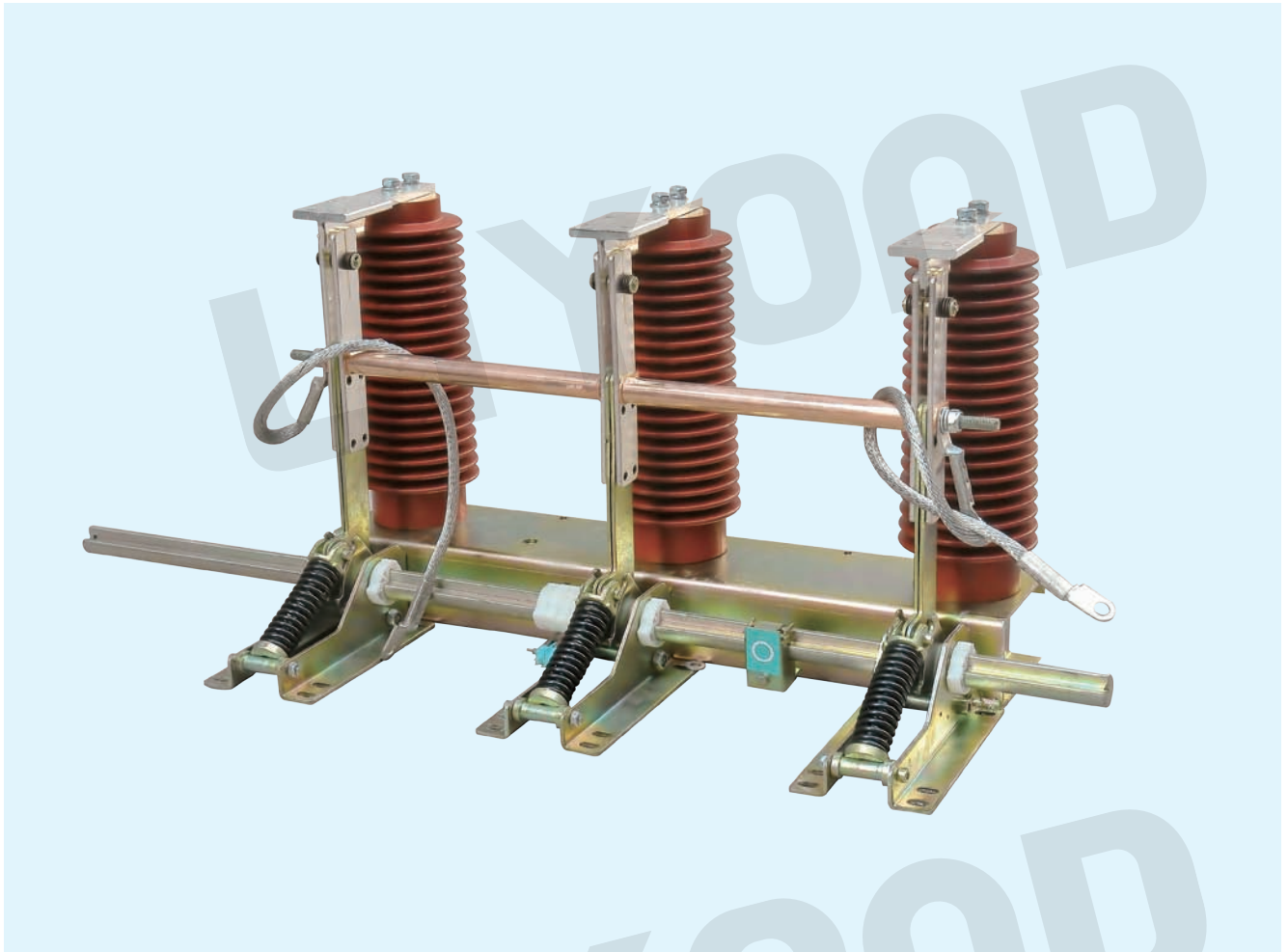




40.5KV EARTHING SWITCH SERIES

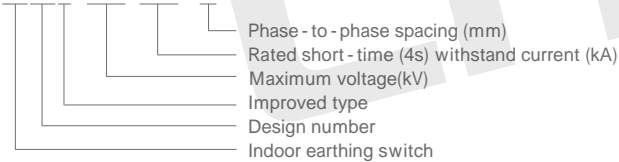
Product No.: LYE105

Name: JN22B-40.5/31.5 Indoor AC high voltage earthing switch



Model and meaning

JN 22 B - 40.5 / 31.5 -



Summary

JN22B - 40.5/31.5 indoor AC high voltage earthing switch is an advanced level product with high - tech parameters performance improved on the basis of JN22 - 40.5/31.5. After comprehensive evaluation, it conforms to GB1985 AC HV disconnect switch and earthing switch and IEC62271 - 102:2002, applies to power system of 40.5kV and AC 50Hz. Can be used with KYN61 - 40.5 and other types high voltage switchgear, also play a protective role in the high - voltage electrical equipment overhaul.

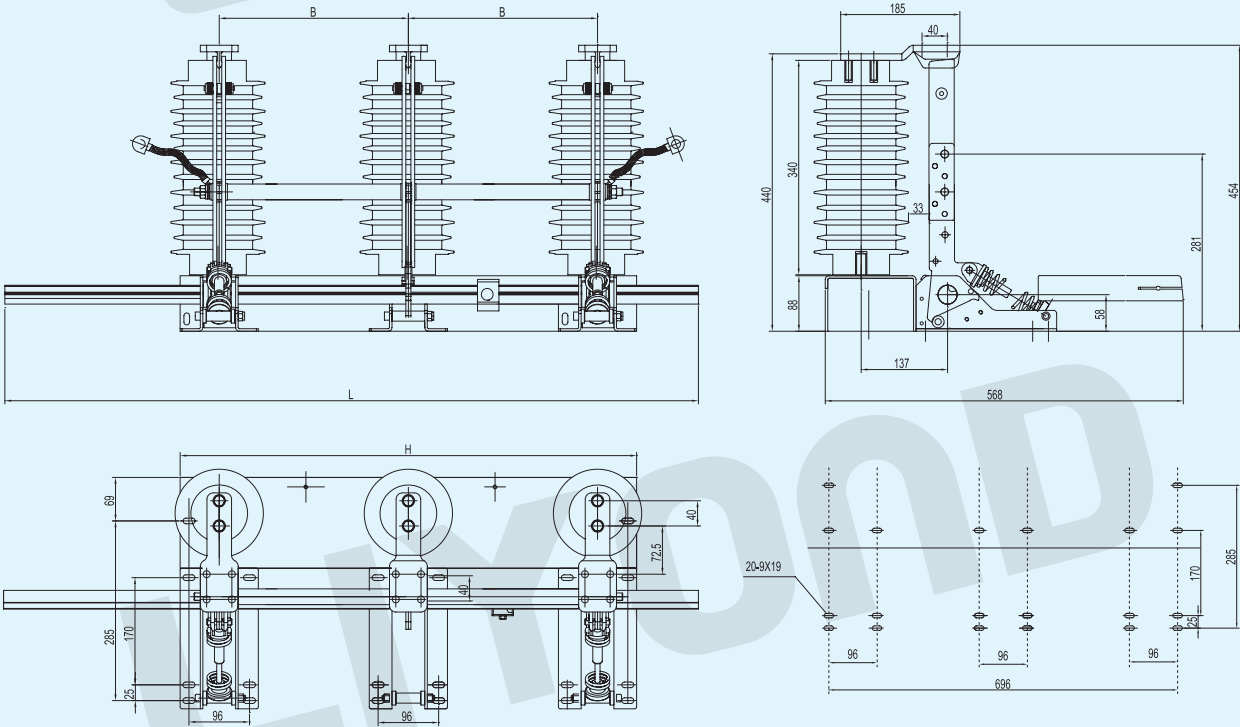


40.5KV EARTHING SWITCH SERIES

Ambient condition

1. Altitude: 1000m
2. Ambient temperature: -10 ~ +40
3. Earthquake intensity: 8 degree
4. No flood, no explosion risk, no heavy dust and shake.

Item	Unit	Data		
Rated voltage	kV	35		
Maximum voltage	kV	40.5		
Rated short - time withstand current	kA	31.5		
Rated short - circuit duration	s	4		
Rated short - circuit making current	kA	80		
Rated peak withstand current	kA	80		
Phases center distance	mm	280,300,350,400		
Rated insulation level	PF withstand voltage (1 min)	kV	Phase to earth	95
	Lightning impulse withstand voltage		Phase to phase	185



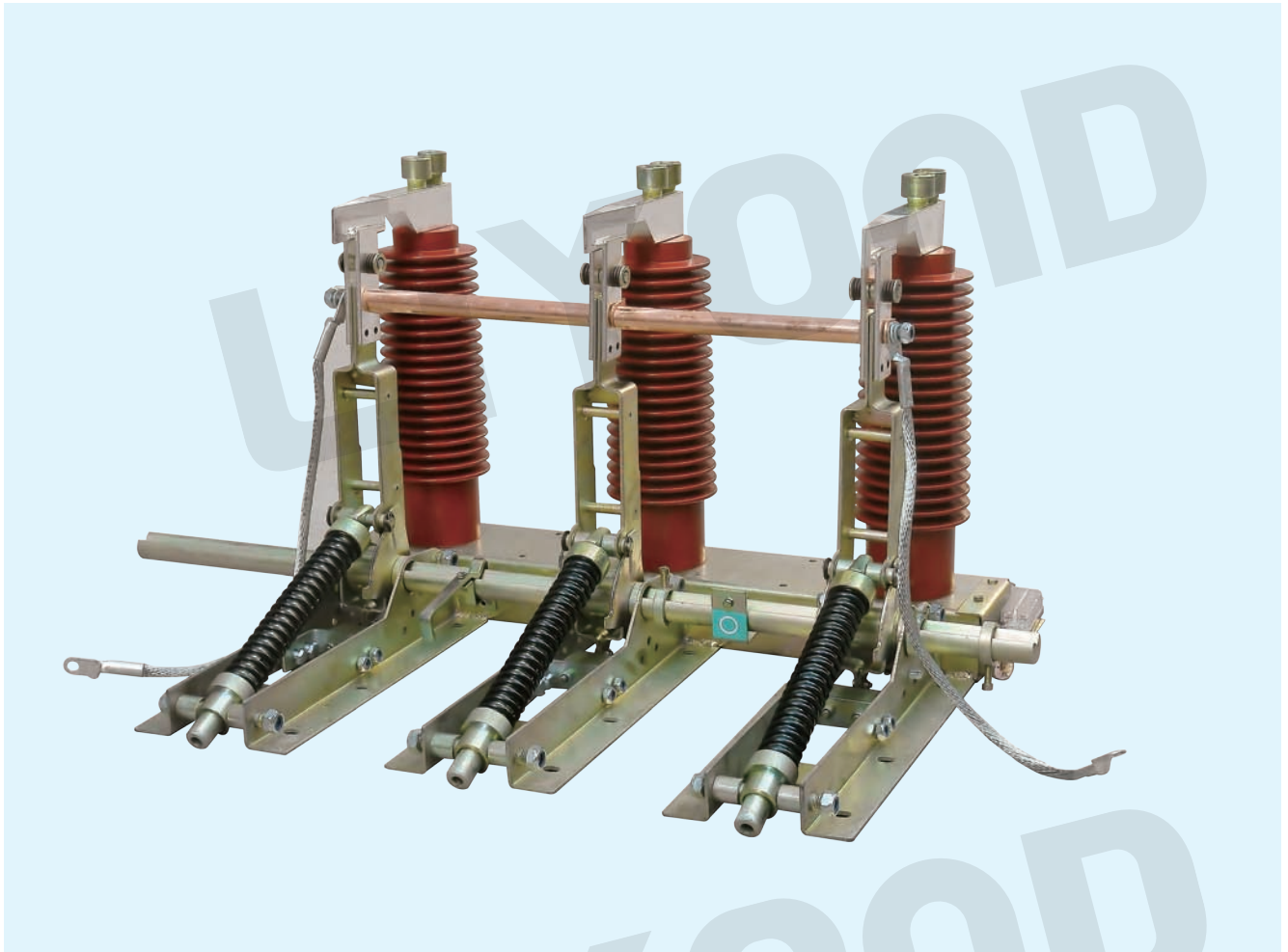
B	H	L
280	750	1180
300	790	1180
350	890	1280
400	990	1374



40.5KV EARTHING SWITCH SERIES

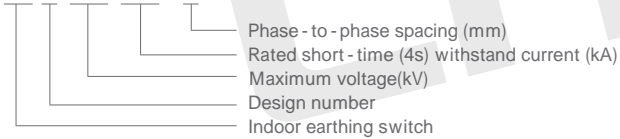
Product No.: LYE106

Name: JN22-40.5/31.5 Indoor AC high voltage earthing switch



Model and meaning

JN 22 - 40.5 / 31.5 -



Summary

JN22 - 40.5/31.5 indoor AC high voltage earthing switch is an advanced level product with high - tech parameters performance. After comprehensive evaluation, it conforms to GB1985 AC HV disconnect switch and earthing switch, applies to power system of 40.5kV and AC 50Hz. Can be used with KYN61 - 40.5 and other types high voltage switchgear, also play a protective role in the high - voltage electrical equipment overhaul.

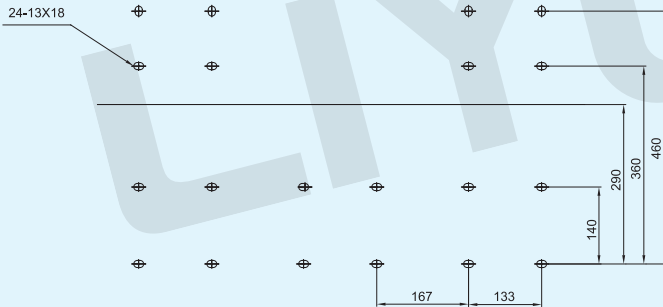
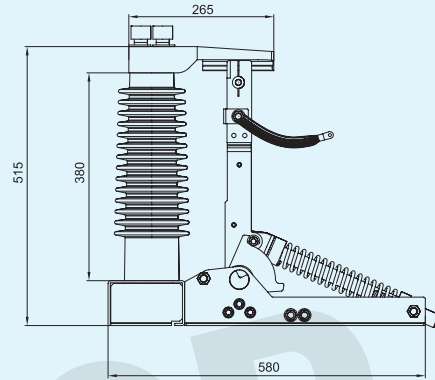
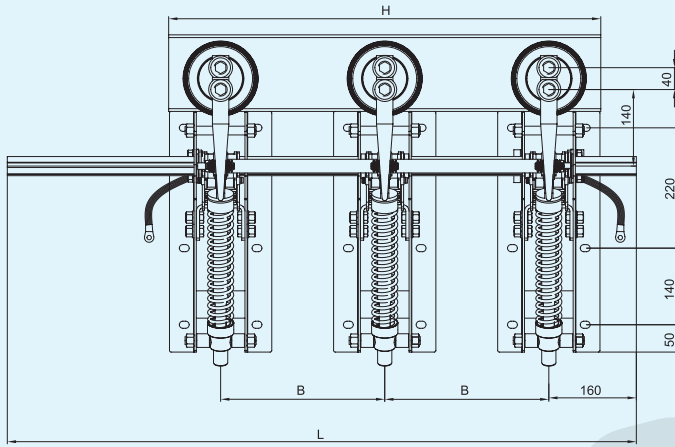


40.5KV EARTHING SWITCH SERIES

Ambient condition

1. Altitude: 1000m
2. Ambient temperature: -10 ~ +40
3. Earthquake intensity: 8 degree
4. No flood, no explosion risk, no heavy dust and shake.

Item	Unit	Data		
Rated voltage	kV	35		
Maximum voltage	kV	40.5		
Rated short - time withstand current	kA	31.5		
Rated short - circuit duration	s	4		
Rated short - circuit making current	kA	80		
Rated peak withstand current	kA	80		
Phases center distance	mm	280,300,350,400		
Rated insulation level	PF withstand voltage (1 min)	kV	Phase to earth	95
	Lightning impulse withstand voltage		Phase to phase	185



B	H	L
280	750	1180
300	790	1180
350	890	1280
400	990	1374